

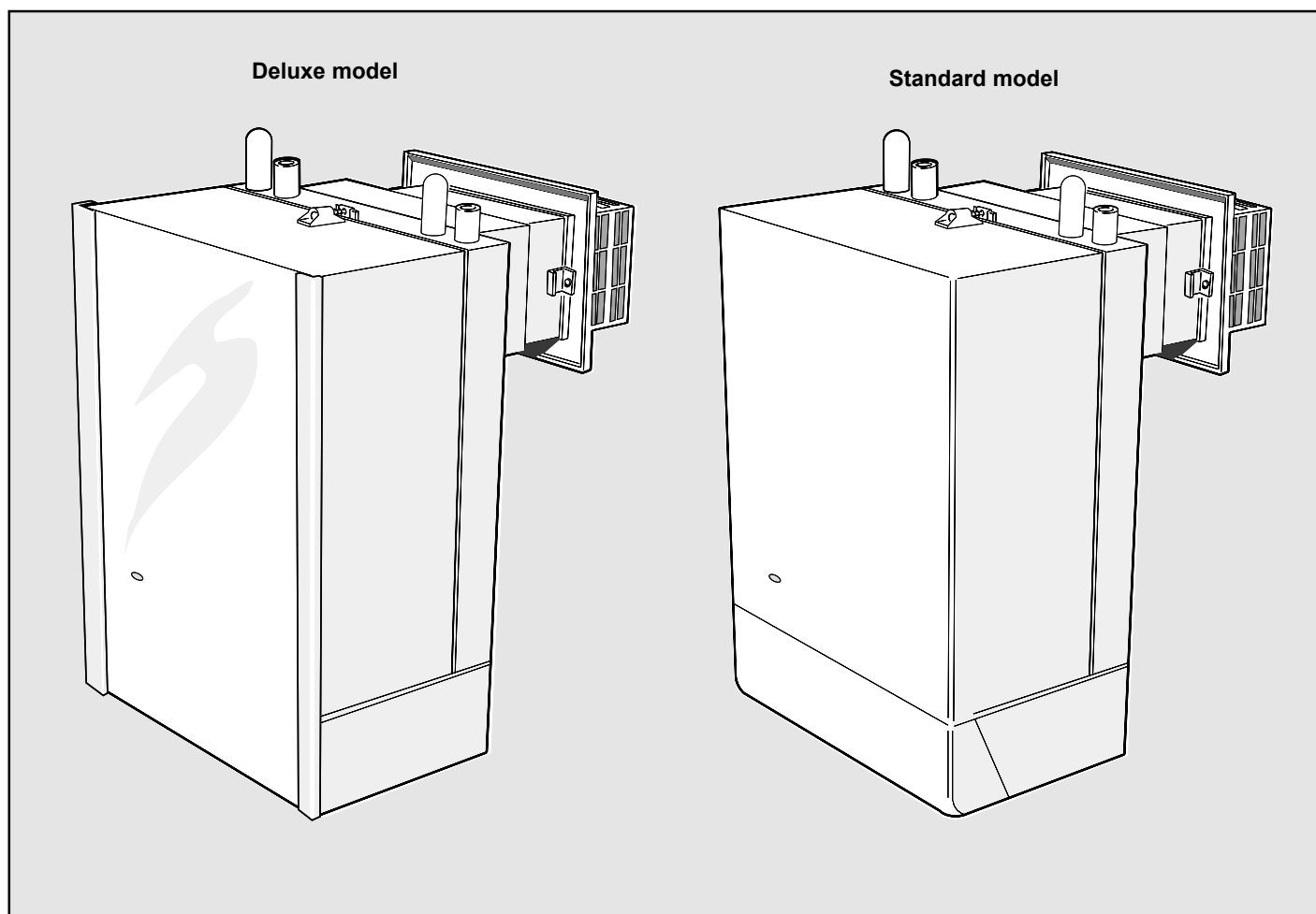
# Classic LXRS & RS 230 - 260

## User's Instructions

Wall Mounted, Balanced Flue Gas Boilers

### Natural Gas Models


Deluxe models	G.C. Appliance No.	Standard models	G.C. Appliance No.
Classic LX RS 230 .....	41 387 33	Classic RS 230 .....	41 387 10
Classic LX RS 240 .....	41 387 34	Classic RS 240 .....	41 387 11
Classic LX RS 250 .....	41 387 35	Classic RS 250 .....	41 387 12
Classic LX RS 260 .....	41 387 36	Classic RS 260 .....	41 387 13



**CAUTION.** To avoid the possibility of injury during the installation, servicing or cleaning of this appliance, care should be taken when handling edges of sheet steel

*ideal* BOILERS

## GAS SAFETY (INSTALLATION AND USE) Regulations, 1994, amendments 1996 or rules in force.

It is law that **all** gas appliances are installed by a CORGI registered installer ( identified by  ) in accordance with the above regulations. Failure to install appliances correctly could lead to prosecution. It is in your own interest, and that of safety, to ensure the law is complied with.

It is essential that the instructions in this booklet are strictly followed for safe and economical operation of the boiler.

## ELECTRICITY SUPPLY

This appliance must be efficiently earthed.

This appliance requires 230 V ~ 50Hz.

This appliance must be connected to the supply via a double pole switch, fused at 3 A, having a 3mm (1/8") contact separation in both poles, serving only the boiler and system controls.

## MINIMUM CLEARANCES

The minimum clearances given below **MUST** be complied with in order to maintain the safe running of the boiler and to facilitate servicing.

<b>Above the boiler</b>	100 mm (4")
<b>At each side of the boiler</b>	5 mm (1/4")
<b>Underneath the boiler</b>	100 mm (4")
<b>In front of the boiler</b>	450 mm (17 3/4")

## IMPORTANT NOTES

- This appliance **must not be operated** without the casing correctly fitted and forming an adequate seal.*
- If the boiler is installed in a compartment then the compartment **MUST NOT** be used for storage purposes.*
- The ventilation provided for the boiler during installation **MUST NOT** be blocked and a check should be made periodically that the ventilation areas are free from any obstruction.*
- If it is known or suspected that a fault exists on the boiler then it **MUST NOT** be used until the fault has been corrected by a CORGI registered installer.*

## TO LIGHT THE BOILER. Refer to Frame 1

- CHECK THAT THE ELECTRICITY SUPPLY TO THE BOILER IS OFF.
- Deluxe Model (LX)**  
Lift the glass fascia and support with sliding catch.  
**Standard model.**  
Open the controls access door by hinging downwards.
- Ensure that the gas inlet cock (E) is OPEN.
- Ensure that the boiler thermostat knob (C) is in the OFF (0) position.
- Turn the gas control knob (A) to the RIGHT until resistance is felt, then release it. **WAIT FOR 3 MINUTES**
- Push in the gas control knob (A) and hold it depressed. Push in and release the igniter button (D) repeatedly until the pilot flame can be seen through the sightglass (B). When the pilot has lit, continue to press in the gas control knob for a further 15 seconds.
- Should the pilot go out at this or any other stage turn the gas control knob (A) to the RIGHT.  
  
**WAIT FOR 3 MINUTES** then repeat instruction 6 but wait for longer than 15 seconds before releasing the gas control knob (A).

- Switch ON the electricity supply to the boiler. Check that all external controls, e.g. room thermostat etc., are ON.
- Turn the boiler thermostat knob (C) to position 6 and the boiler will light.  
Set the boiler thermostat to the desired position.

- Deluxe Model (LX)**  
Lower the glass fascia after pushing in the sliding catch.  
**Standard model.**  
Close the controls access door.

In **winter conditions**, i.e. central heating and domestic hot water, the thermostat should be set at position 5 or 6.

For **summer conditions**, i.e. domestic hot water only, the thermostat should be set at position 3.

These settings, however, are offered for general guidance only and other settings may be found preferable, dependent upon the type of system installed or as recommended by the installer.

Approx. flow temperatures for the boiler thermostat settings are:

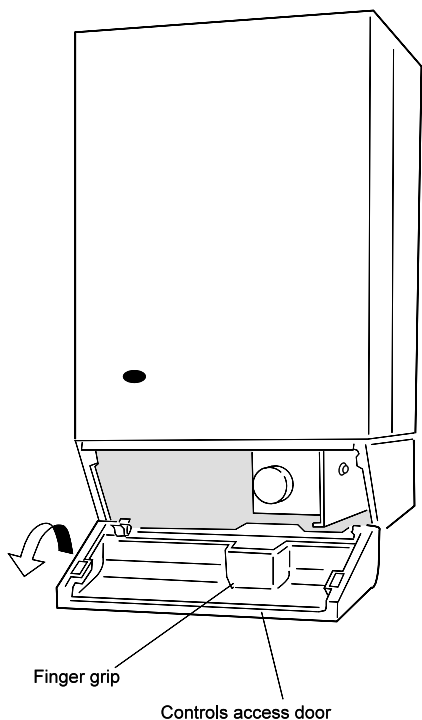
Knob Setting	Flow Temperature	
	°C	°F
1	56	133
2	61	142
3	66	152
4	72	161
5	77	170
6	82	180

**THE LOG BOOK SHOULD BE COMPLETED AFTER EACH SERVICE AND KEPT WITH THESE INSTRUCTIONS**

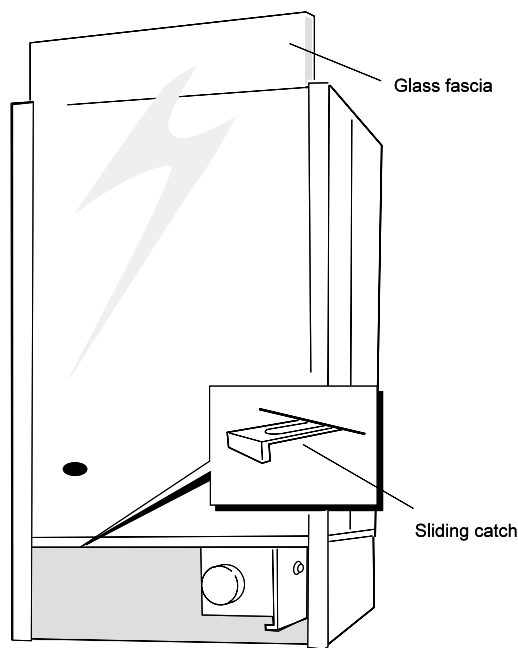


# 1 BOILER CONTROLS

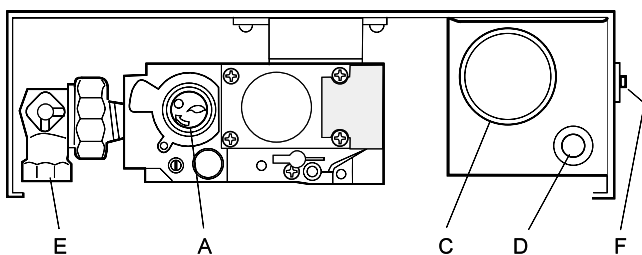
Standard Model



Deluxe Model



## BOILER CONTROLS



View inside controls area

### LEGEND

- A. Gas control knob
- B. Sightglass
- C. Thermostat knob
- D. Igniter button
- E. Gas inlet cock (shown in the OPEN position)
- F. Overheat thermostat reset button (if fitted)

## TO SHUT DOWN THE BOILER

### 1. For short periods

Turn the boiler thermostat knob to OFF. When heating is again required, restore the knob to its original settings.

### 2. For longer periods

Turn the boiler thermostat knob to OFF. Turn the gas control knob (A) to the right until resistance is felt then release it to extinguish the pilot burner.

Switch the electricity supply to OFF.

**WARNING.** If no frost protection is provided and frost is likely during a short absence from home, leave the heating controls at a reduced temperature setting.

For longer periods, the entire system should be drained - including the domestic water supply. If the system includes a frost thermostat then, during cold weather, the boiler should be turned OFF at the time switch(es) ONLY. The mains supply should be left switched ON, with the boiler thermostat left in the normal running position.

## BOILER OVERHEAT THERMOSTAT (If fitted)

The boiler is fitted with a safety 'cutout' thermostat. This thermostat will extinguish the pilot and shut down the boiler in the event of overheating.

Should this occur allow the boiler to cool, press the reset button (F) then relight as detailed in steps 1-10 in 'To light the boiler'.

*If the cutout condition still persists then turn off the boiler and consult a CORGI registered installer.*

## CONTROL OF WATER TEMPERATURE

1. Adjust the boiler thermostat (C) to give the required temperature for central heating.
2. The boiler thermostat automatically switches the main burner OFF and ON to maintain the selected temperature. The pilot burner remains alight continuously to give re-ignition of the main burner.

## TO RELIGHT THE BOILER

Repeat the procedure from 1-10, detailed in 'To light the boiler'.

## LOSS OF SYSTEM WATER PRESSURE

*Standard boilers fitted with Classic Sealed System Units only*

If the red arrow on the module pressure gauge is set above zero and the system pressure is seen to fall below this value over a period of time then a water leak is indicated. In this event a CORGI registered installer should be consulted.

**DO NOT OPERATE THE BOILER IF THE PRESSURE HAS REDUCED TO ZERO FROM THE ORIGINAL SETTING.**

## ESCAPE OF GAS

Should a gas leak be suspected, contact your gas supplier without delay.

**Do NOT search for gas leaks with a naked flame.**

## CLEANING

For normal cleaning simply dust with a dry cloth. To remove stubborn marks and stains, wipe with a damp cloth and finish off with a dry cloth.

**Do NOT use abrasive cleaning materials.**

## MAINTENANCE

The appliance should be serviced at least once a year by a CORGI registered installer.

**Caradon Plumbing Limited**, P.O. Box 103, National Ave, Kingston upon Hull, HU5 4JN. Telephone: 01482 492 251 Fax: 01482 448 858. Registration No. London 322 137. Registered Office: National Avenue, Kingston upon Hull, HU5 4JN. *A subsidiary of Caradon plc*



CERTIFIED PRODUCT  
Manufactured under a BS EN ISO 9001:1994  
Quality System accepted by BSI



**THIS SYMBOL IS YOUR ASSURANCE OF QUALITY**

These appliances are designed for use with Natural Gas only. They have been tested and conform with the provisions of BS. 6332 and BS. 5258.

**benchmark™**

***The code of practice for the installation, commissioning & servicing of central heating systems***

Caradon Plumbing Limited is a member of the Benchmark initiative and fully supports the aims of the programme. Benchmark has been introduced to improve the standards of installation and commissioning of central heating systems in the UK and to encourage the regular servicing of all central heating systems to ensure safety and efficiency.



LXFF.87/AQ/220  
LXRS.87/AQ/221  
FF. 87/AP/107  
RS.87/AP/108

Natural Gas appliances are service listed by British Gas

**Caradon Plumbing Limited** pursues a policy of continuing improvement in the design and performance of its products. The right is therefore reserved to vary specification without notice.

September 1999

UIN 111 500 A04

**i** **Ideal** BOILERS

***Ideal Consumer Helpline Tel: 01482 498 660***